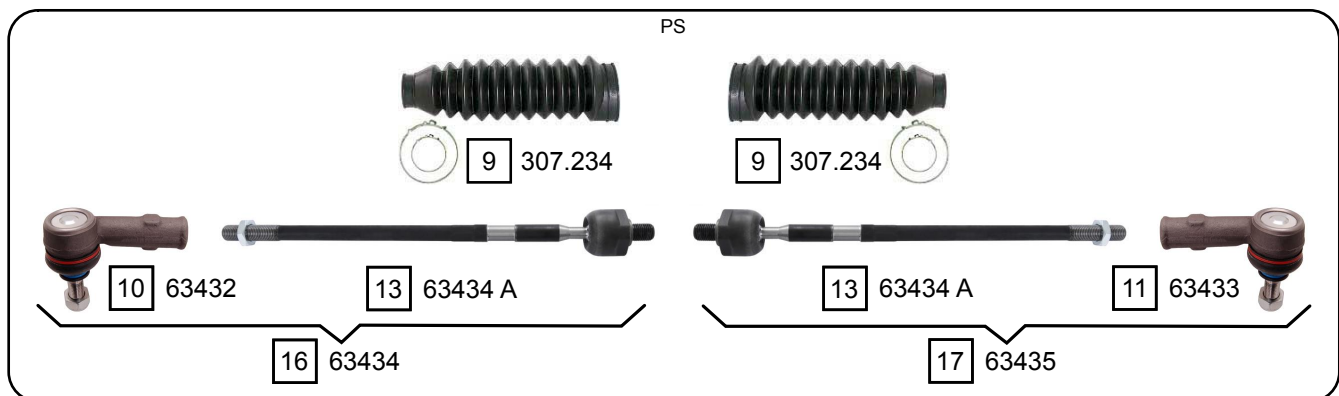
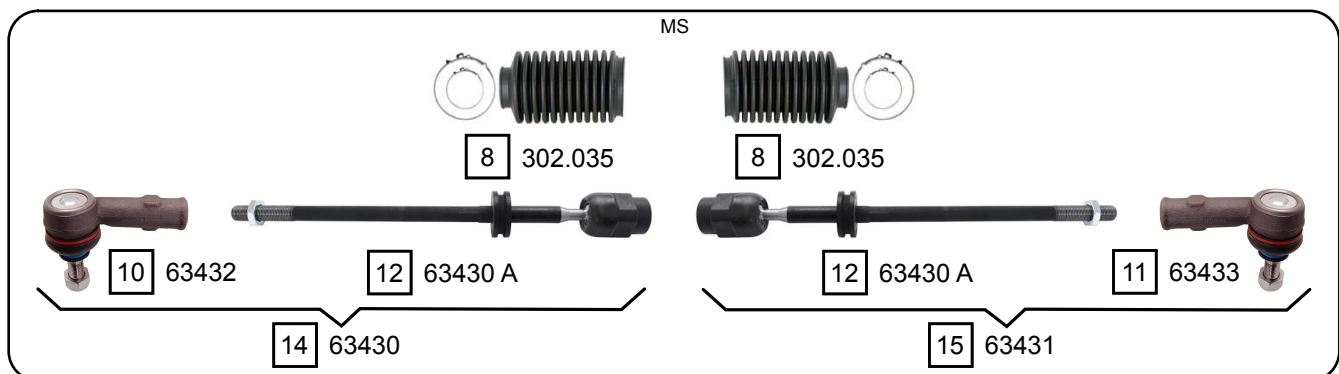
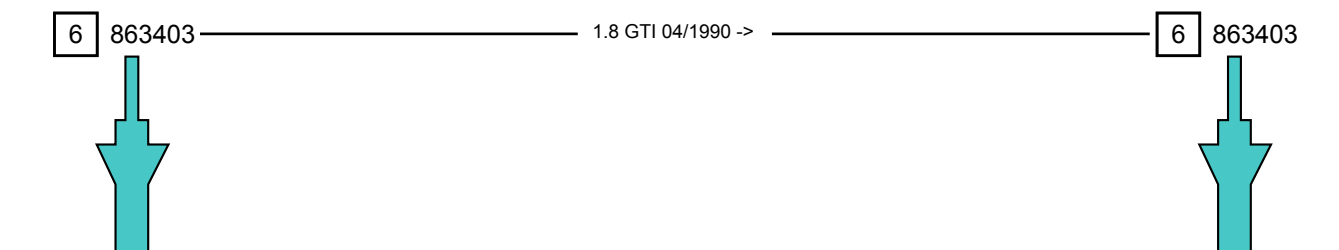
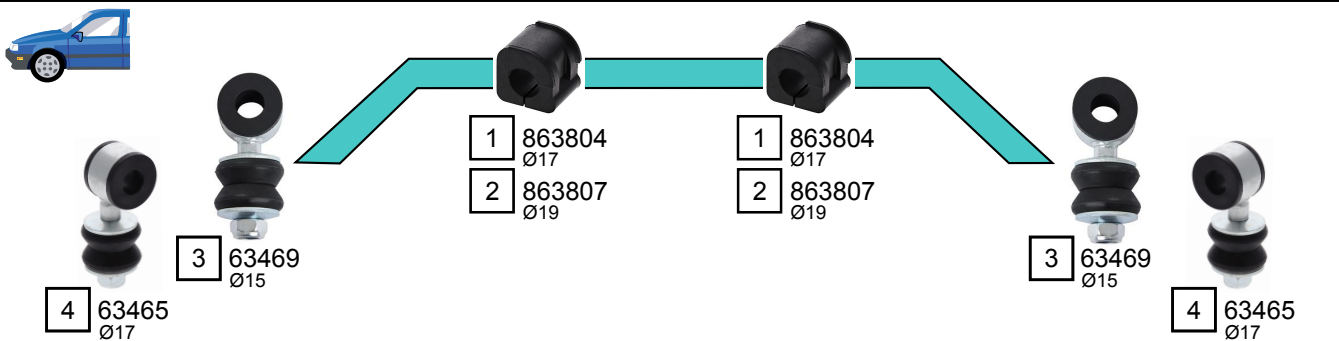


GOLF II (19E, 1G1)

08/1983 - 12/1992



Ref.	Sidem Ref.	Description	OE-number	Measures	Ref.	Sidem Ref.	Description	OE-number	Measures
1	863804	stabiliser mounting	191 411 314	di:17	10	63432	tie rod end left	6N0 419 811	c:12.6 th:FM14x1.5R
2	863807	stabiliser mounting	1H0 411 314	di:19	11	63433	tie rod end right	6N0 422 812	c:12.6 th:FM14x1.5R
3	63469	stabiliser link	191 411 315 B	L:76	12	63430 A	axial joint	Part of	th:FM22X1.5R L:365
4	63465	stabiliser link	6K0 411 315	L:78	13	63434 A	axial joint	Part of	th:MM14X1.5R L:341
5	863401	strut mount	191 412 329	di:14.5 do:89.3 L:52	14	63430	tie rod left	191 419 803	c:12.6
6	863403	strut mount	357 412 329	di:14 do:127 L:55	15	63431	tie rod right	191 419 804	c:12.6
7	863406 KIT	strut mount kit	191 412 329 S1	di:14.5 do:127 L:53	16	63434	tie rod left	191 422 803 A	c:12.6
8	302.035	steering rack gaiter	191 419 831	D:41 d:25 L:120	17	63435	tie rod right	191 422 804 A	c:12.6
9	307.234	steering rack gaiter	1H0 422 831 B	D:41 d:10 L:210					