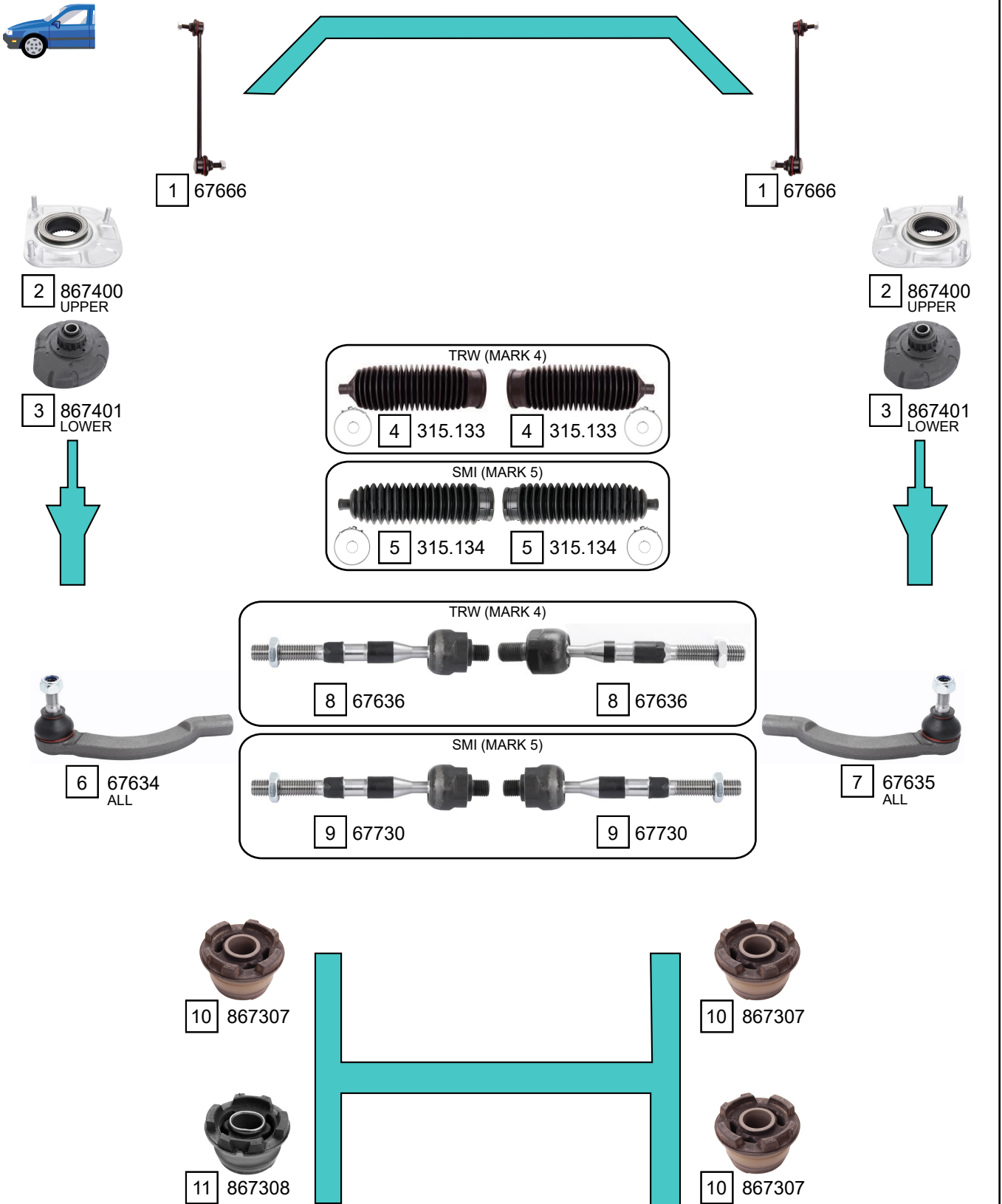


# VOLVO

## S70 - V70 - C70 - XC70

S70 (P80\_)  
V70 I  
C70 I  
XC70 I

11/1996 - 11/2000  
11/1996 - 05/2000  
03/1997 - 10/2005  
11/1997 - 02/2000



Ref.	Sidem Ref.	Description	OE-number	Measures	Ref.	Sidem Ref.	Description	OE-number	Measures
1	67666	stabiliser link	31 212 730	L:301	7	67635	tie rod end right	271 599	c:13.1 th:FM14X2R
2	867400	strut mount	31 200 599	di:45.1 L:45	8	67636	axial joint	3 546 266	th:MM14X1.5R L:176
3	867401	strut mount	30 683 637	di:16.5 do:144 L:55	9	67730	axial joint	9 191 410	th:MM16X1.5R L:177
4	315.133	steering rack gaiter	271 601	D:49 d:13 L:203	10	867307	mounting axle body	3 507 923	di:25.6 do:71.7
5	315.134	steering rack gaiter	9 191 409	D:46 d:13 L:225	11	867308	mounting axle body	3 507 924	di:24.4 do:74
6	67634	tie rod end left	271 598	c:13.1 th:F M14X2R					